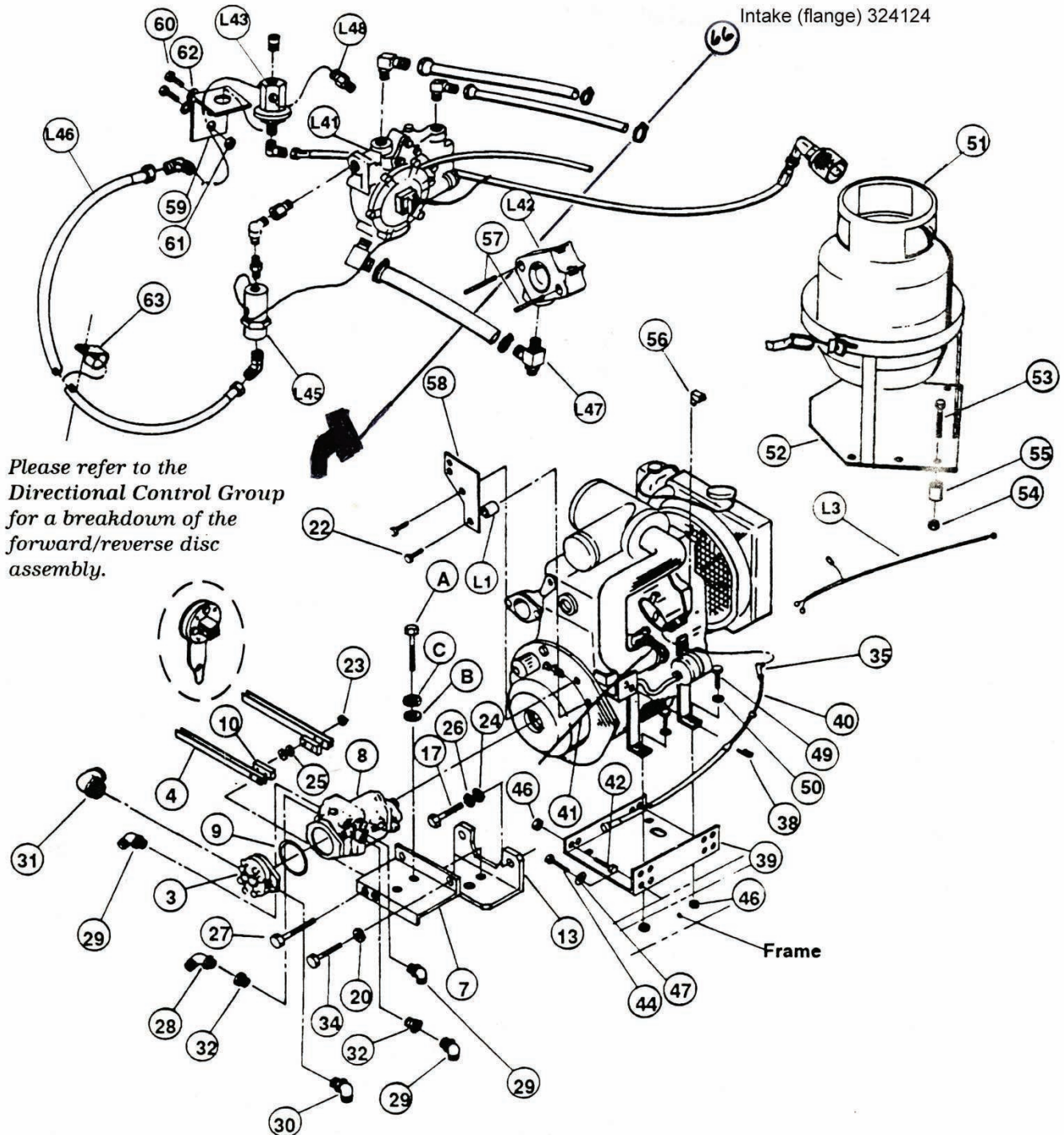


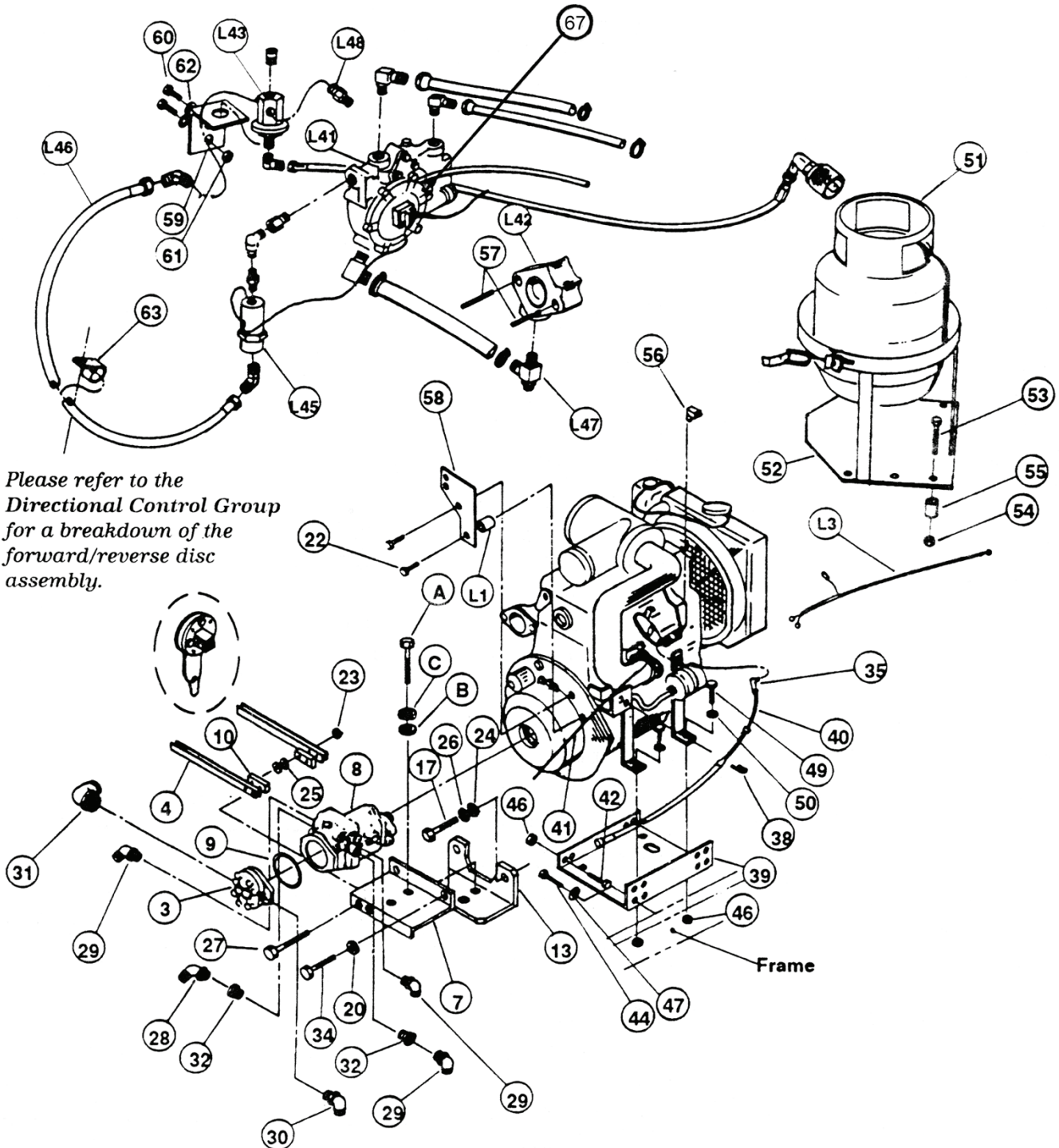
## ENGINE GROUP - LIQUID PROPANE - (KUBOTA WG-750-B LPG)



313220  
303777

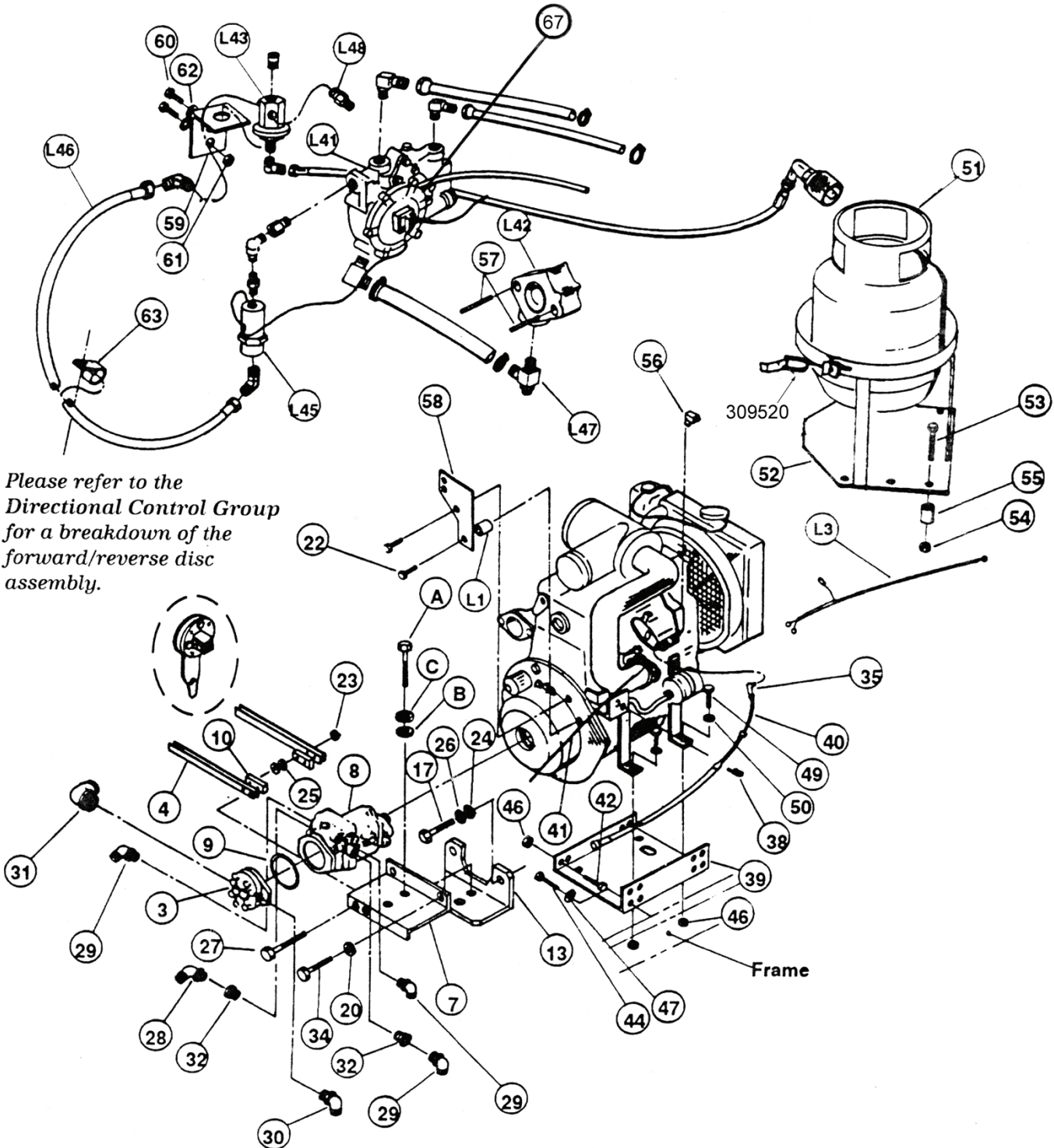
SW/62 IC		KUBOTA LPG ENGINE			
REF. #	PART NUMBER	SUB PARTS	DESCRIPTION	NUMBER REQUIRED	
1	313099	Sub	ASSY - ENG SUB KBA GAS SW/62	1	
2	contains >	300339	SLEEVE - SQ & FWD/REV	2	
3		300482	PUMP - AUX FULL SIZE	1	
4		300543	SPRING - RETURN	4	
5		(In disc)	301507	COUPLING - LORD DIR CONTROL	1
6		(In disc)	301544	ASSY - DISC FWD/REV PLTD	1
7		(In disc)	302115	BRKT - FWD/REV PLTD	1
L1			302420	SPACER - LEVER SOL VALVE PLTD	1
8			303581	PUMP - MAIN VD FS	1
9			303711	O-RING STATIC SEAL 3.329 ID	1
10		(In disc)	303918	SPACER - FWD/REV BRKT PLTD	2
12			310054	VALVE - TOW OPTION	1
13			312231	MOUNT - FWD/REV	1
14		(In disc)	312242	PLT - DIR CONTRL SW/62 DSL PLTD	1
L2			313217	MNT - VAPORIZER SW/62 LP	1
L3			313218	WIRING HARNESS - VAC SWITCH SW/62 LP	1
L4		Purchased Kit	313220	KIT - LPG SW/62      Field Kit    316490	1
L41		contains >	316509	LP REGULATOR / VAPORIZER 62	1
L42			316510	CARBURETOR ADAPTOR (VENTURI) 62LP	1
L43			316511	BULKHEAD (contains Safety Valve) 62LP	1
L44	316512		BRACKET 62LP	1	
L45	316513		SOLENOID SHUTOFF (LOCKOFF) 62LP	1	
L46	316514		HIGH PRESSURE HOSE 62LP	1	
L47	316515		ELBOW - ADJUSTABLE LP 62	1	
L48	316516		SAFETY VALVE (ONLY) 62LP	1	
L5		313223	FTG - 90 1/8 MPT TO 1/4 HOSE BARB	1	
15	Purchased Sub	316215	POWERTRAIN PACKAGE - EPS (GAS)	1	
	contains >	306556	MNT - ENGINE KUBOTA PNTD	3	
		312245	MNT - ENG RH REAR SW/62 DSL PNTD	1	
		312254	MNT - AIR CLEANER SW/62 DSL PNTD	1	
		313075	BRACKET - THROTTLE GAS	1	
		313080	COOLANT TANK MOUNT	1	
		313082	ENGINE - KUBOTA WG750-B (GAS)	1	
		313214	BRACKET - STOP GAS	1	
16		400027	SCREW - HEX 3/8-16 X 1.75 ZP	1	

## ENGINE GROUP - LIQUID PROPANE - (KUBOTA WG-750-B LPG)



SW/62 IC		KUBOTA LPG ENGINE		
REF. #	PART NUMBER	SUB PARTS	DESCRIPTION	NUMBER REQUIRED
		3316542	Beam 60 Kit	
17		400028	SCREW - HEX 3/8-16 X 1.50 ZP	2
18		400030	SCREW - HEX 3/8-16 X 1.00	2
19		400033	SCREW - HEX 5/16-18 X 1.50 ZP	4
A		400036	SCREW - HEX 5/16-18 X .75 ZP	2
20		400069	NUT - HEX 5/16-24 ZP	2
21		400079	NUT - HEX 3/8-16 ES ZP	1
22		400080	NUT - HEX 5/16-18 ES ZP	4
23		400081	NUT - HEX 1/4-20 ES ZP	3
24		400087	WASHER - FLAT 3/8	4
B		400088	WASHER - FLAT 5/16 ZP	2
25		400089	WASHER - FLAT 1/4 STANDARD ZP	4
26		400101	WASHER - LOCK 3/8	4
C		400102	WASHER - LOCK 5/16 ZP	2
27		400149	SCREW - HEX 1/4-20 X 1.50 ZP	2
28		400153	FTG - 90 9/16-18 TO #6	1
29		400154	FTG - 90 3/4-16 TO #8	3
30		400155	FTG - 90 7/8-14 TO #8	1
31		400159	FTG - 45 1-5/16 TO #16	1
32		400167	FTG - ADAPTER 1-1/16 TO 3/4	2
33		400173	SCREW - HEX 1/4-20 X 1.75 ZP	1
34		400221	SCREW - HEX 5/16-24 X 1.00 ZP	2
35	301459		BALL JOINT - #10-32	1
36	302841	for 303581	KIT - SEAL REPAIR, ROUND PLT (SP)	1
37	304793	for 300482	KIT - SEAL REPAIR MS/FS AUX PUMP	1
38	307691		CLAMP - THROTTLE SW/A	1
39	312238		PLATE - ENGINE MOUNT	1
40	312261		CABLE - THROTTLE SW/62 GAS/DSL	1
41	313077		CABLE - CHOKE SW62 GAS	1
42	400022		SCREW - HEX 1/2-13 X 1.25	4
43	400028		SCREW - HEX 3/8-16 X 1.50 ZP	2
44	400032		SCREW - HEX 3/8-16 X .75	8
45	400071		NUT - HEX 1/4-20	2
46	400078		NUT - ES 1/2-13	4
47	400101		WASHER - LOCK 3/8	8
48	400103		WASHER - LOCK 1/4	2

## ENGINE GROUP - LIQUID PROPANE - (KUBOTA WG-750-B LPG)



Please refer to the  
Directional Control Group  
for a breakdown of the  
forward/reverse disc  
assembly.

SW/62 IC		KUBOTA LPG ENGINE		
REF. #	PART NUMBER	SUB PARTS	DESCRIPTION	NUMBER REQUIRED
49	400021		SCREW - HEX 1/2-13 X 1.75 ZP	4
50	400091		WASHER - FENDER 1/2	4
51	313221		TANK - LPG 20 LB SW/62	1
52	313222		MOUNT - TANK SW/62 LP	1
53	400234	Used to nmt 313222	SCREW - HEX 3/8-16 X 5.00 ZP	4
54	400079	Used to nmt 313222	NUT - HEX ES 3/8-16	4
55	313219	Used to nmt 313222	SPACER - LP TANK MNT SW/62	4
56	313223		FTG - 90 1/8 MPT TO 1/4 HOSE BARB	1
57	313226		STUD - CARBURETOR SW/62 LP	2
58	313217		MOUNT - VAPORIZER SW/62 LP	1
59	307934		MOUNT - SAFETY VALVE	1
60	400042		SCREW - HEX 1/4-20 X .75	2
61	400063		NUT - FLANGE 1/4-20	2
62	400383		WASHER - CONICAL 1/4	2
63	301158		CLAMP - CABLE 3/4	1
64	301669		PLUG - INSTRUMENT PANEL	1
	312269	(not shown)	WIRING HARNESS - LINTEL SW62 G/D/LP	1
66	324124		Intake Fange	1
67	322172		Switch - vacuum Safety	1
NOTES:				

## ENGINE GROUP - DIESEL - (KUBOTA D-722-B)

*Please refer to the Directional Control Group for a breakdown of the forward/reverse disc assembly.*

